



- Matrix sizes of 6x2, 8x2, and 8x4
- Switch Stereo, Composite with Stereo, or S-Video with Stereo
- Compact 1 r.u. enclosure
- Professional Specifications

Half-Y Distribution Matrix

Applications

- Home Theater Systems
- Sports Bars
- Board Rooms
- Security Systems
- Production Studios



GENERAL

AC Power:	100 - 250 VAC (50/60/440 Hz)
Maximum Power Consumption:	30 Watts per enclosure
Operational Temperature:	32° to 110° F (0° to 43° C)
Humidity:	0 to 90% non-condensing
Dimensions:	6.75 in (17.14 cm) depth 17.5 in (44.45 cm) width without mounting ears 19.0 in (48.26 cm) width with mounting ears 1.75 in (4.45 cm) height (1 r.u.)
Weight:	3.5 lbs (1.59 kg) per enclosure
Approvals:	CE, UL, CUL

AUDIO

Throughput:

Frequency Response:	< ± 0.1 dB (20 Hz to 20 kHz)
Total Harmonic Distortion + Noise:	< 0.05% (20 Hz to 20 kHz, Vin = 1.2 dBu to 13.2 dBu)
Signal to Noise Ratio (SNR):	-103 dB (20 Hz to 20 kHz, Vin = 13.2 dBu)

Input:

Level:	19.2 dBu
Impedance:	18 kΩ
Type:	Balanced or Unbalanced
Common Mode Rejection Ratio (CMRR):	-90 dB typical, -70 dB min. (20 Hz to 20 kHz, Vcm = ± 10 V)
Power Supply Rejection Ratio (PSRR):	-80 dB typical, -60 dB min. (20 Hz to 20 kHz, Vcm = ± 15 V)
Connector type(s):	Disconnectable 3 Position Screw Terminal, 5 Position Screw Terminal, RCA

Output:

Level:	19.2 dBu
Impedance:	50 Ω
Type:	Balanced or Unbalanced
Connector type(s):	Disconnectable, 3 Position Screw Terminal, 5 Position Screw Terminal, RCA

STANDARD VIDEO

Throughput:

Frequency Response:	± 3 dB to 60 MHz or Better ± 1 dB to 25 MHz or Better
Differential Gain:	0.07% or Better (f = 3.58 MHz)
Differential Phase:	0.08° or Better (f = 3.58 MHz)
Signal to Noise Ratio (SNR):	< -70 dB (Vin = 0.7 V)

Input:

Maximum Level:	± 2 V
Impedance:	75 Ω or Hi-Z (22 kΩ)
Connector type(s):	BNC, S-Video

Output:

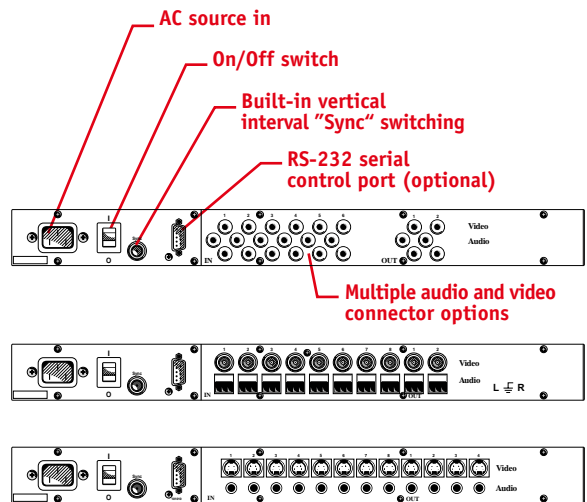
Maximum Level:	± 2 V
Impedance:	75 Ω
Connector type(s):	BNC, S-Video

Half-Y Distribution Matrix Specifications

- Matrix sizes of 6x2, 8x2, and 8x4
- Switch Stereo, Composite with Stereo, or S-Video with Stereo
- Compact 1 r.u. enclosure
- Professional specifications
- Multiple connector combination options like BNC, RCA, S-Video, and Screw Terminals
- Switch any input to any or all outputs, or any combination
- Switch Audio Follow Video or break-away
- Built-in Vertical Interval Switching
- Includes APControl, free Windows matrix control and scheduling software
- X/Y Control Panel features LED matrix for constant status display

System Options:

Local X/Y Control Panel
RS-232 Serial Control
Multiple video and audio connector options (Video/Audio):
BNC/Screw Terminal (balanced)
BNC/Screw Terminal (unbalanced)
RCA/RCA
S-Video/Stereo Mini-Jack



2416 Cheney-Spokane Rd. Cheney, WA 99004-0350
509-235-2636 800-622-0246 (US) Fax 509-235-2646
www.autopatch.com e-mail: sales@autopatch.com
AutoPatch is a division of XN Technologies, Inc.