

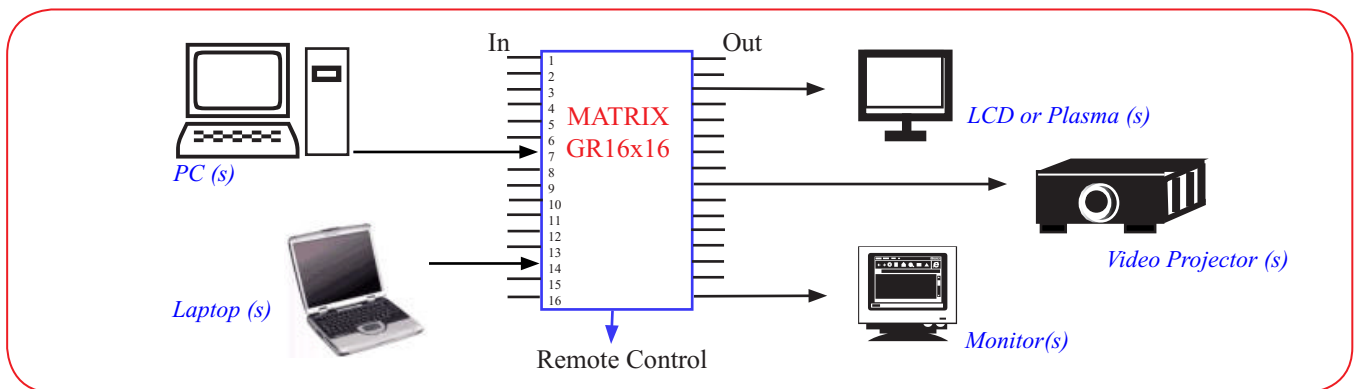
RGB SWITCHING MATRIX

Switch 16 different video or computer sources towards 16 users (PC/MAC®/SGI®/SUN®...)

The GR 16x16RVBS -300 is an analog Video **RGBS** switching matrix with integrated main power, designed to allow 16 users to choose **individually and instantaneously**, one high resolution video source among 16 (**resolution up to**

1900 x 1200 pixels). The matrix has been designed to ensure **real time follow up** and to bring solutions **without using networks**.

(Available also with 8 inputs and 8 outputs)



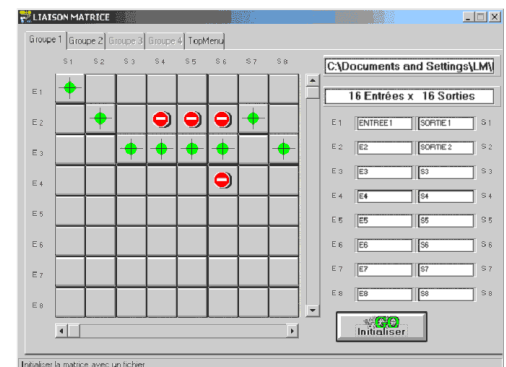
ACQUISITION FUNCTIONS

- Accept **all the computers' resolution until 1900 x 1200** (Bandwidth > 300 MHz)
 - Accept **all the TV studio images** in high **RGB** resolution (HDTV)
- The option **RGB H & V separated** is available upon request for PC, MAC®... or others interfaces

SELECTION of the SOURCE

- By individual keyboard :
16 electronic keys -LEDs (Ref : CL16TE)
- By serial port :
 - RS232 from a PC or workstation
 Or
 - RS485 from a central keyboard (Ref : CLSER/H)

It is possible to forbidden some video sources access to some of the users.



Virtual Control Panel for remote piloting under Windows® delivered with the matrix:

APPLICATIONS

CAD, Process control (synoptical diffusion), Exhibitions, Conference room, Interactive training system, Simulation, Real Time Control Room

Technical specifications :

GR 16x16 RVBS-300

4 RGB signals Sy composite

GR 16X16 RVBS-300-5

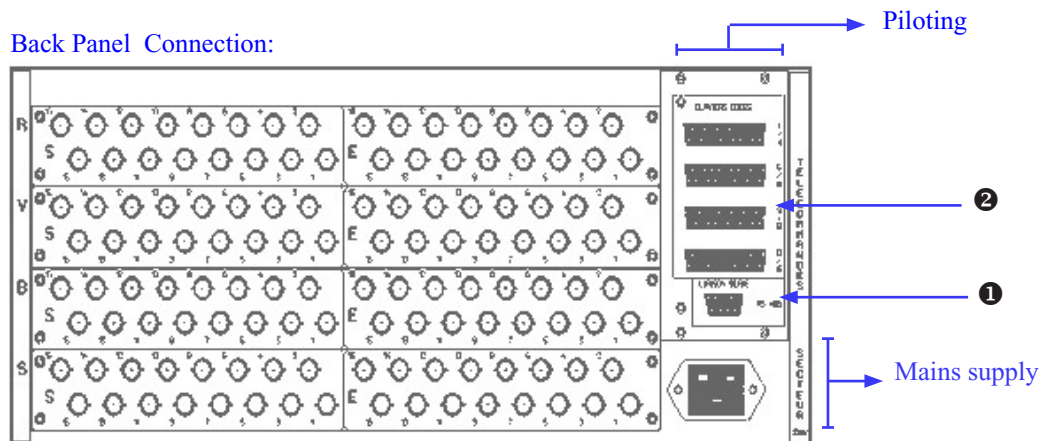
5 RGB signals Sy L&T separated

RGB MATRIX SWITCHER 16 Inputs, 16 Outputs

The remote control can be set up either centralised (through RS485 or RS232, and standard protocole), or in an independant manner, with 16 distinct keyboards controlled in BCD

It is made of 5 independants cards : 3 video (RGB) cards, 1 synchro card, 1 remote control card.

4 Units high rack can fit either into a 19" wide cabinet or into a single box



⇒ INPUT SIGNALS

- VIDEO : 0,7 to 1,5 V
p. to p. 75Ω
- SYNCHRO : TTL - 75Ω
(or 1 KΩ with internal switch)

⇐ OUTPUT SIGNALS :

- VIDEO
Gain : $1 \pm 0,5\%$
Bandwidth > 300MHz (Resolution: 1900 x 1200)
Maximum level: 1,5 V p. to p. 75Ω
Crosstalk : < 40 dB at 100 MHz
- SYNCHRO : TTL level 75 Ω (2,8V)

SIZE :

- Width: 19"
- Height : 4 U
- Length : 460 mm

SUPPLIES

- Mains : 230 V 50/60 Hertz
60 VA by European plug (CEE 22)

CONNECTING

- VIDEO :
 - 128 "BNC" sockets 75Ω
 - ⇨ **Inputs** : 3 X 16 BNC (R, G, B)
 - ⇨ **Outputs** : 3 X 16 BNC (R, G, B)
- SYNCHRO :
 - For 32 BNC sockets (16 inputs + 16 outputs) GR 16X16 RVBS 300, (RGB/Sy)
 - For 32 BR2 sockets (16 inputs + 16 outputs) GR 16X16 RVBS 300-5, (RGB/HV)
- REMOTE CONTROL :
 - Centralized control, on 1 pin SUB'D 9 sockets , for a common serial link RS485 or RS232 ①
 - BCD encoded, on 4 pins SUB'D 25 sockets points, for 16 different coded keyboards ②